



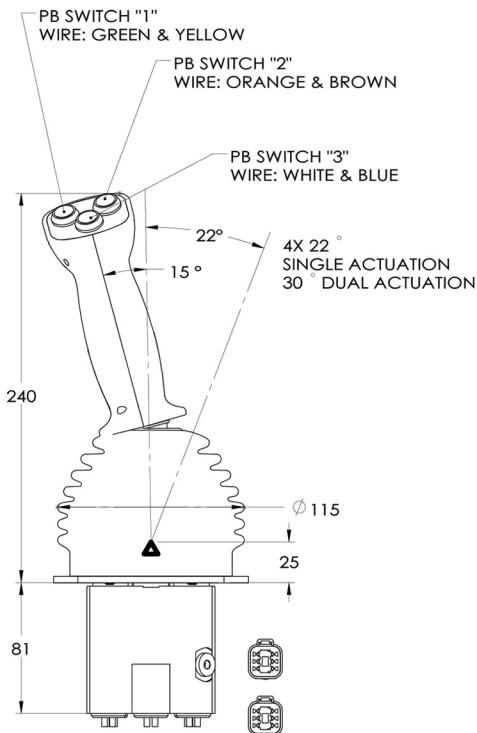
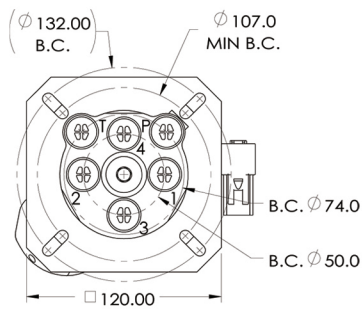
Technical specifications

Max pressure: **100 bar**
 Oil capacity: **16 l/min**
 Temperature: **-20-90°C**
 Max back pressure: **5 bar**

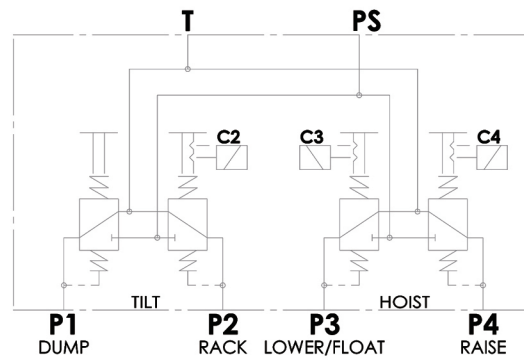
Applications

Wheel loaders
 Skid steer loader

Dimensions



Hydraulic schematic



Pressure curve

