

HP00150019



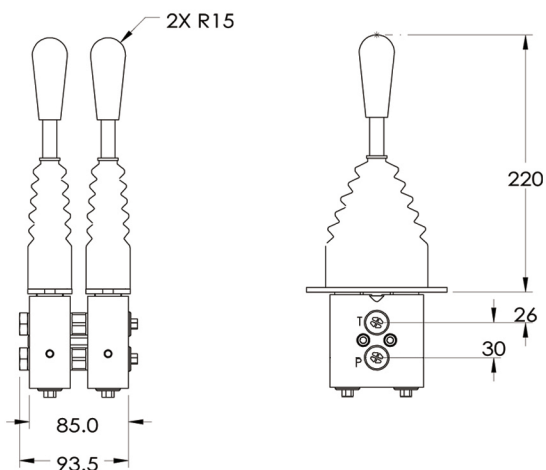
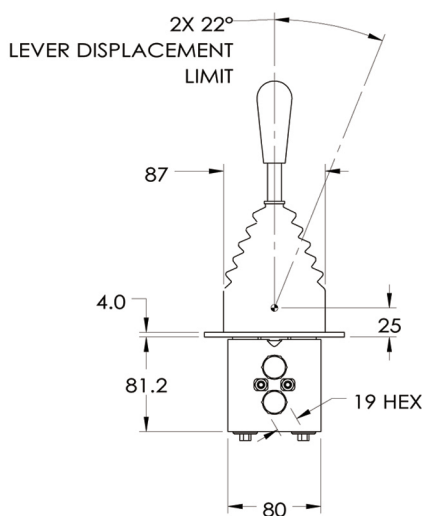
Technical specifications

Max pressure: **100 bar**
Oil capacity: **16 l/min**
Temperature: **-20-90°C**
Max back pressure: **5 bar**

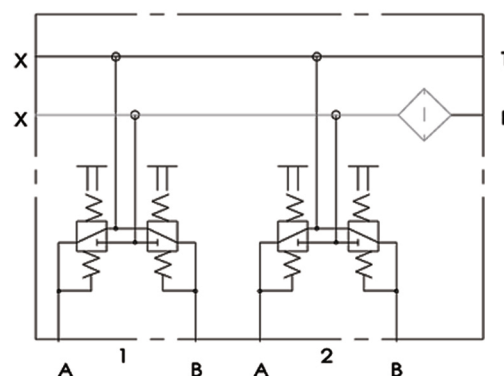
Applications

Mini steer loaders, Backhoe loaders, Tractors

Dimensions



Hydraulic schematic



Pressure curve

