



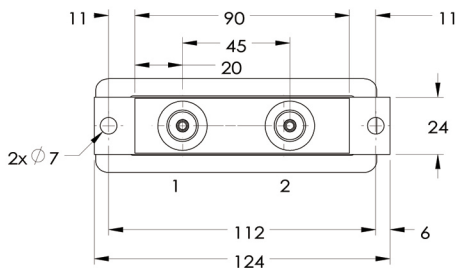
Technical specifications

Max pressure: **100 bar**
 Oil capacity: **16 l/min**
 Temperature: **-20-90°C**
 Max back pressure: **5 bar**

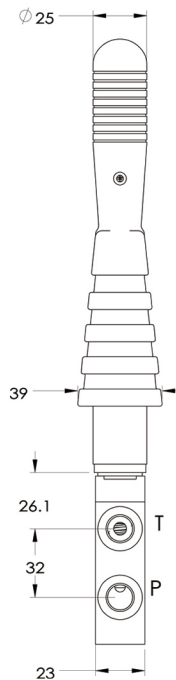
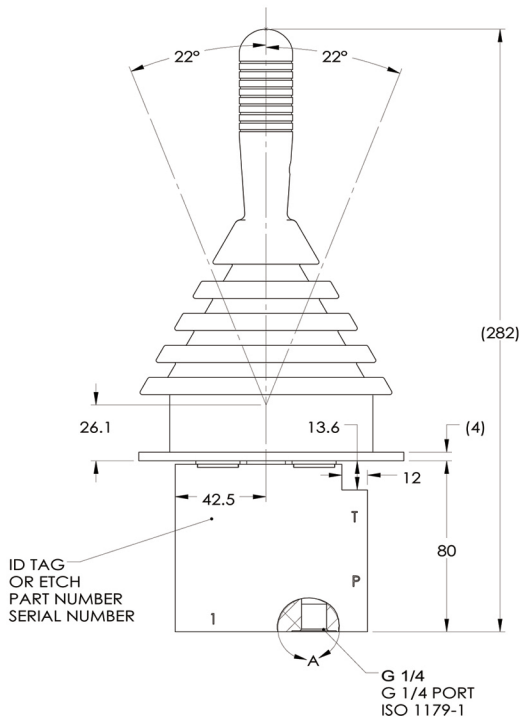
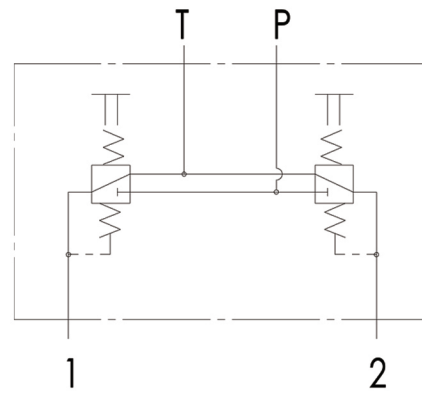
Applications

Excavator, Dozer track

Dimensions



Hydraulic schematic



Pressure curve

